



LTFLOAT

Design by Mario Alessiani

Multifunctional mobile battery lamp with integrated led source, for indoor and outdoor. Aluminum and stainless steel structure, high efficiency PC diffusor. Dimmable 5 steps. 9 hours runtime with replaceable battery kit with at least 500 recharging cycles, at maximum efficiency.

Typology: TABLE LAMP

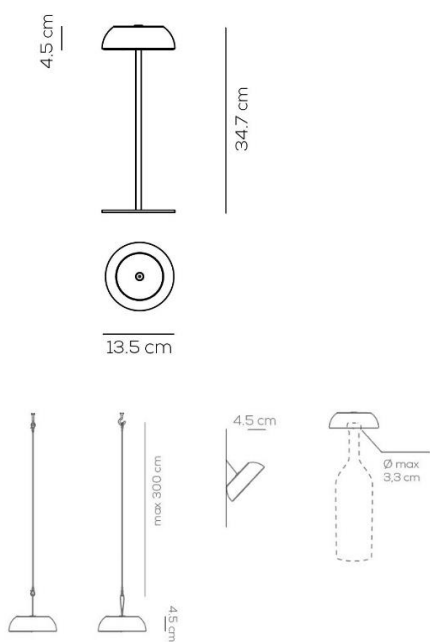
Ratings

- Built in **LED** module
- CCT 2700
- IP55
- Dimmable 5 steps
- Aluminum and stainless steel body painted
- High efficiency PC diffusor
- Lithium battery (replaceable)
- 9 hours runtime

Weight 0,90 Kg
volume 0,007 m³

FLOAT / table lamp / wall lamp / suspension lamp / for installation on bottles

Type	Article	Colours / Finish	Source
LT	FLOATX	BC white / BC white BL blue / BC white NE black / NE black CG concrete green / CO concrete gray MD mauve dust / BC white	LED 3,5W - diffused beam 2700K



5 steps IP55 CRI 80 Li-Ion battery 500 cycles 9 hours **LED** ~200 lm 57.14 lm/W
 example composition code LT FLOATX BL BC LED

Available colours

COLOURS BODY



COLOURS TOP



White Blue Black Concrete green Mauve dust White Black Concrete gray

EELc (Energy Efficiency Label compatibility) contain built in LED lamps that cannot be changed: A, A+, A++

LTFLOATX_ _ _ _LED CUSTOMER _____ NOTES _____

NOTICE: Luminous flux (lm) and efficacy (lm/W) for all built in LED luminaires is based on nominal ratings of the LED sources. Technical data could be subject to alteration without notice. Axo Light does not provide legal guarantee for the accuracy of this data sheet.